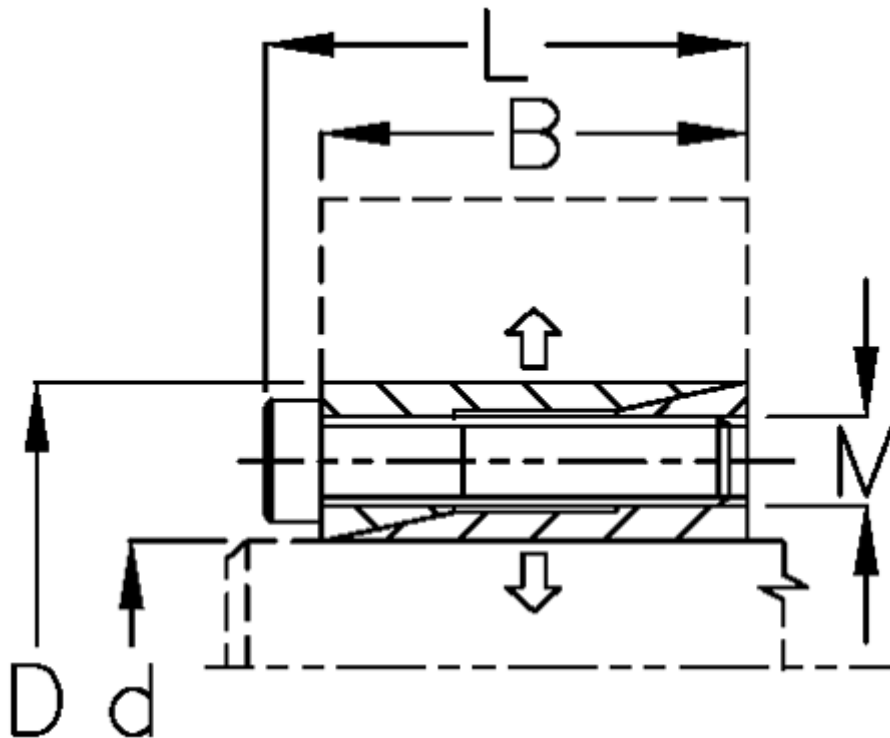


Article number: 435700050

Description: Rota-fix shaft-hub connection K 50x80

Note: Self centering. Medium torque

Measures



B mm	= 36
d mm	= 50.00
D mm	= 80
Fit tolerance	= Aksel h8, Nav H8
F kN torque	= 75.0
L mm	= 44.0
M mm	= M8
P N/mm ² surface pressure on shaft/hub	= 115

Surface roughness	= R? ? 3.2 µm
T N m torque	= 1900
Ts N m bolt tightening torque	= 40.0